

Filex Galaxy Modular Dual

Adjust the height and depth of the screen using the patented connector on the pole. The 3 arm pivot points and VESA head allow the monitor to be tilted, rotated and swung.



BNEFG809420 - White
BNEFG809421 - Silver
BNEFG809422 - Black



Configurations

- 1 - Filex Galaxy Post 45cm
- 1 - Filex Galaxy Desk Clamp
- 1 - Filex Galaxy Desk Feed
- 2 - Filex Galaxy Connector
- 4 - Filex Galaxy Straight arm
- 2 - Filex Galaxy VESA connector with quick release



Rotation stop 90°p
Yes



Cable management
Yes



Number of screens
2



Load capacity
12 kg

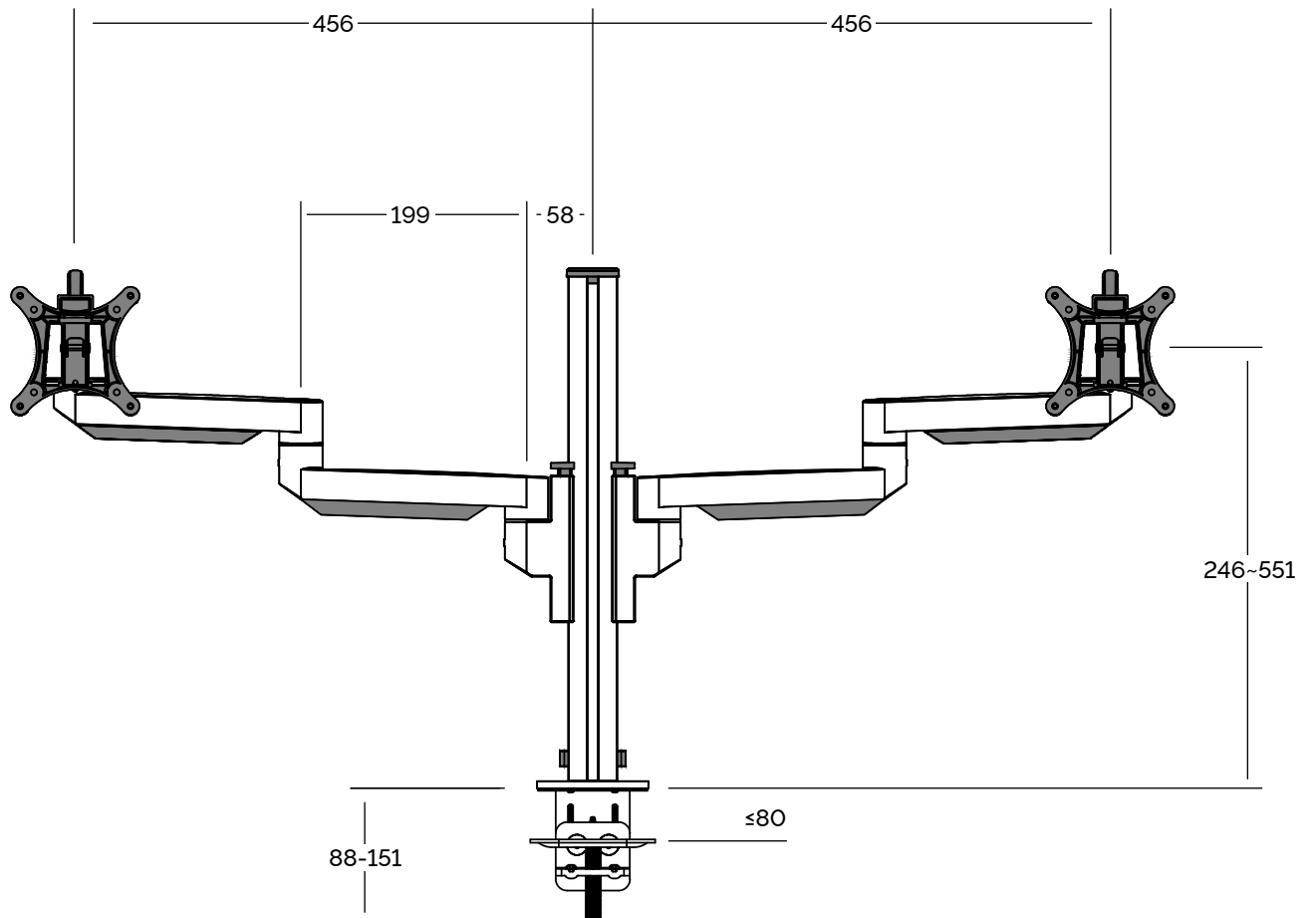


Adjustability
Rotation, orientation and tilting



Circular
100% recyclable and made from sustainable materials





Go to the website for
this solution

Dimensions are in mm